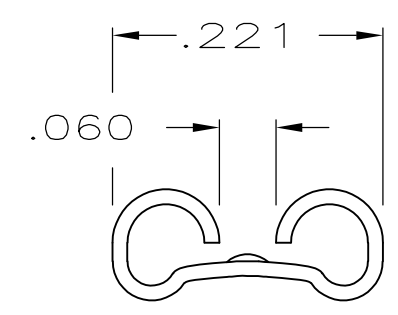
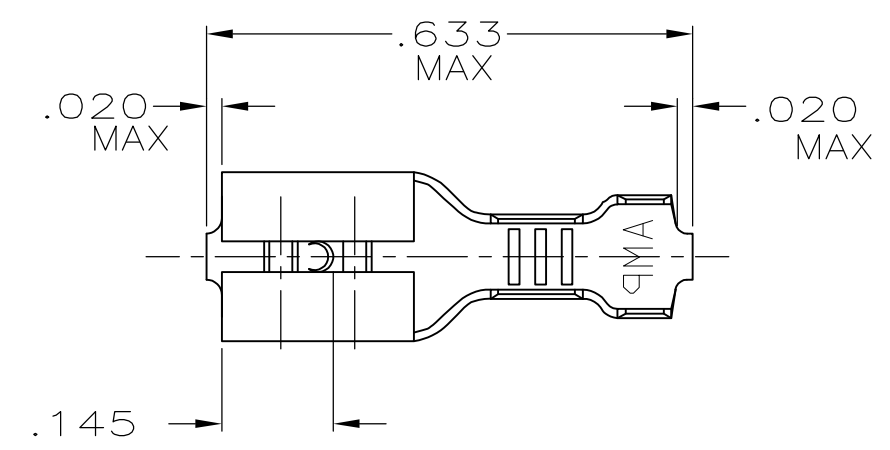


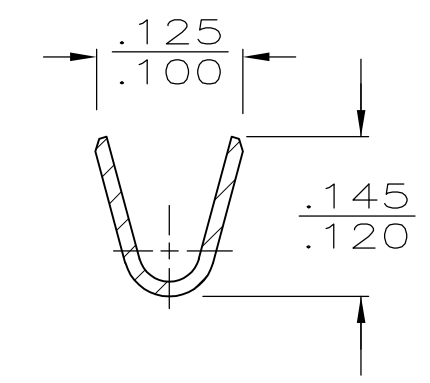
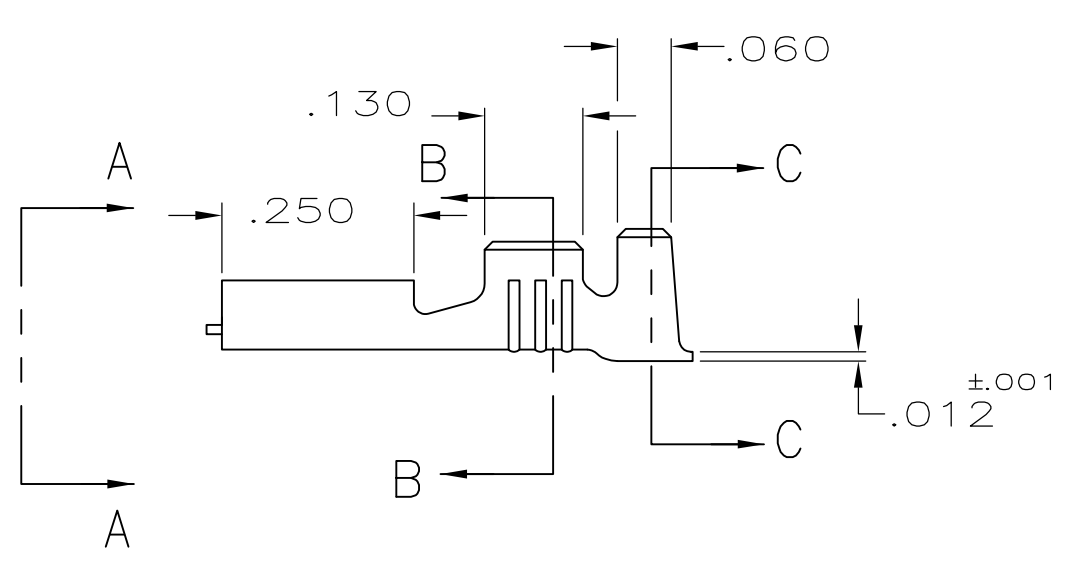
THIS DRAWING IS UNPUBLISHED. RELEASED FOR PUBLICATION  
 © COPYRIGHT - By - ALL RIGHTS RESERVED.

LOC	DIST	REVISIONS			
P	LTR	DESCRIPTION	DATE	DWN	APVD
AF	50	H	REVISED PER ECR-12-013445	18OCT12	KH PD

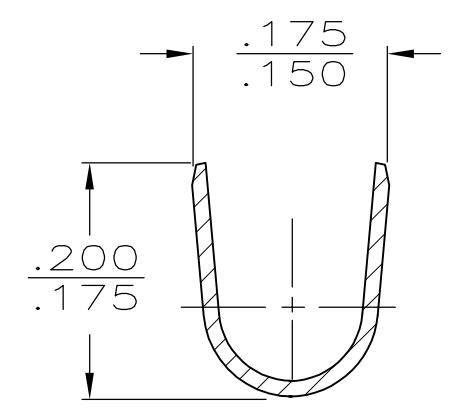


VIEW A-A

1 SUPPLIED IN LOOSE PIECE


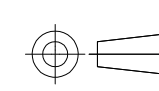


SECTION B-B



SECTION C-C

42452-2	TIN	.090-.130 DIA	20-16 AWG	.020	42566-2
42452-1	-	.090-.130 DIA	20-16 AWG	.020	42566-1
STRIP FORM	FINISH	INSUL RANGE	WIRE SIZE	MATING TAB THK ±.001	PART NO

THIS DRAWING IS A CONTROLLED DOCUMENT.		DWN JR RUTH 3/5/93	 TE Connectivity RECEPTACLE, FASTON, .187 SERIES				
DIMENSIONS: INCHES		CHK MS FEHER 3/5/93					
		APVD C MEYERS 3/5/93					
TOLERANCES UNLESS OTHERWISE SPECIFIED:		PRODUCT SPEC					
MATERIAL: BRASS		FINISH: SEE TABLE	APPLICATION SPEC	SIZE: A3	CAGE CODE: 00779	DRAWING NO: C-42566	RESTRICTED TO: -
CUSTOMER DRAWING			SCALE: 4:1	SHEET: 1 OF 1	REV: H		